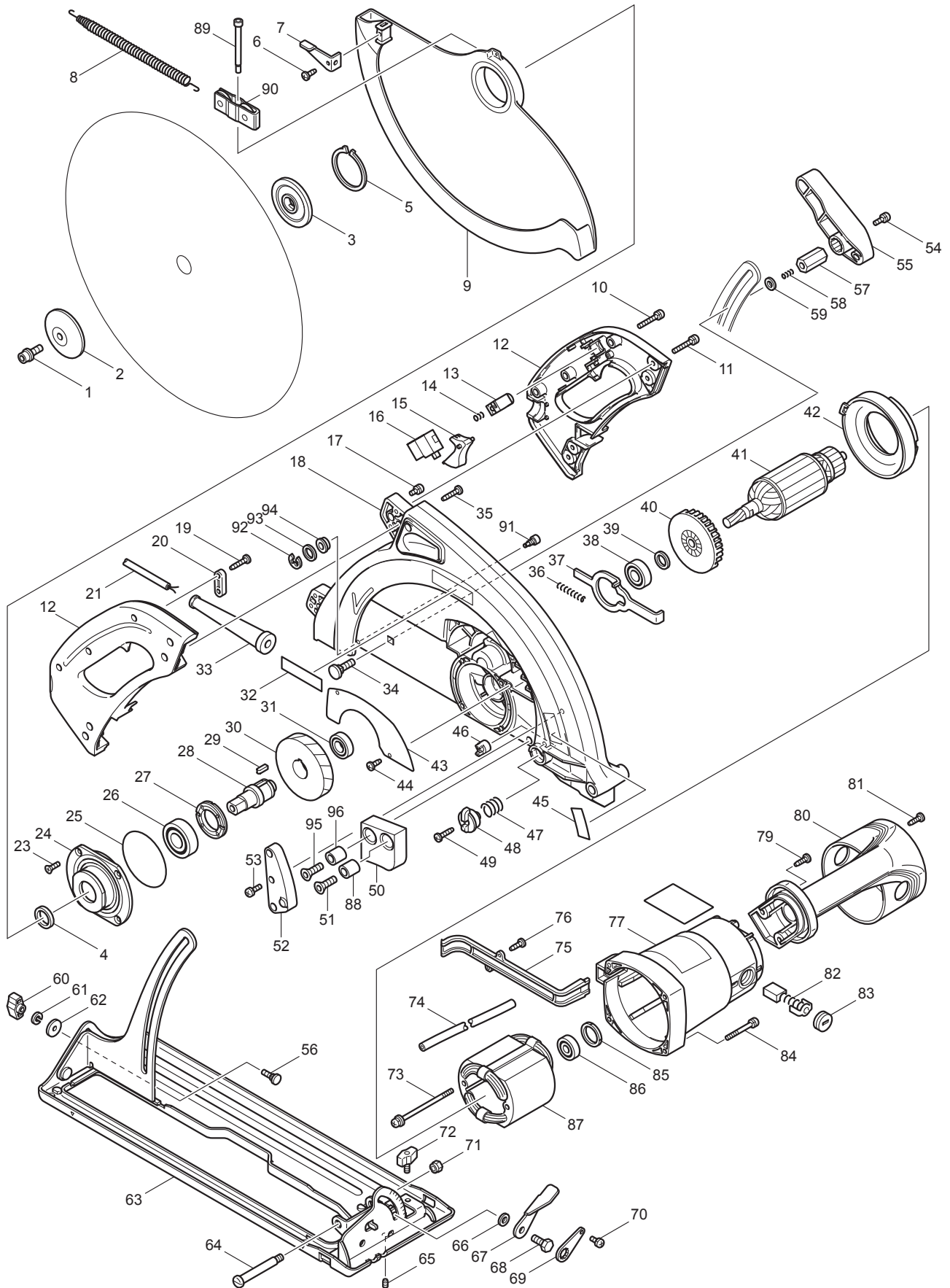




10 - 2010

5402NA

16-5/16" CIRCULAR SAW
(with Electric Brake)



Item No	Type	Sub	Part No	Description	Qty	Unit
001			265408-7	HEX. SOCKET HEAD BOLT M8X20	1	PC.
002			224310-3	OUTER FLANGE 65	1	PC.
003			224264-4	INNER FLANGE 65	1	PC.
004			257230-6	RING 20	1	PC.
005			961252-7	RETAINING RING S-55	1	PC.
006			266026-4	TAPPING SCREW BIND CT 4X12	1	PC.
007			344966-7	LEVER	1	PC.
008			231826-1	TENSION SPRING 8	1	PC.
009	3		319253-3	* SAFETY COVER	1	PC.
010	2		911153-9	PAN HEAD SCREW M4X28	3	PC.
011			911253-5	PAN HEAD SCREW M5X30	4	PC.
012	2		183532-3	* HANDLE SET	1	SET
013			417117-6	LOCK-OFF BUTTON	1	PC.
014			233284-7	COMPRESSION SPRING 5	1	PC.
015			417115-0	SWITCH LEVER	1	PC.
016			651985-9	SWITCH TG70B-2	1	PC.
017			652014-1	PAN HEAD SCREW M4X8	1	PC.
018	3		158811-8	* BLADE CASE COMPLETE	1	PC.
		INC.	263005-3	* RUBBER PIN 6	1	PC.
019	2		265A48-7	TAPPING SCREW 4X18	2	PC.
020			687053-2	STRAIN RELIEF	1	PC.
021			664850-3	CORD W/PLUG 3P-14-5.0M	1	PC.
023			265034-2	+ COUNTERSUNK HEAD SCREW M5X16	4	PC.
024			317378-7	BEARING BOX	1	PC.
025			213763-1	O RING 75	1	PC.
026			211329-1	BALL BEARING 6204DDW	1	PC.
027			285824-7	BEARING RETAINER 31-48	1	PC.
028			323938-5	SPINDLE	1	PC.
029			254229-2	KEY 5	1	PC.
030			226526-6	HELICAL GEAR 62	1	PC.
031			211201-7	BALL BEARING 6002LLB	1	PC.
032			819064-1	* MAKITA MARK (OLD)	1	PC.
033			682564-2	CORD GUARD	1	PC.
034			265845-5	CAP SQUARE NECK BOLT M8X30	1	PC.
035	2		265A48-7	TAPPING SCREW 4X18	2	PC.
036			233264-3	COMPRESSION SPRING 5	1	PC.
037			344890-4	SHAFT LOCK	1	PC.
038			211228-7	BALL BEARING 6202DDW	1	PC.
039			253147-1	FLAT WASHER 15	1	PC.
040			241870-0	FAN 80	1	PC.
041			516836-2	ARMATURE ASS'Y 115V	1	PC.
		INC.		Item No. 38-40,86		
042			417278-2	BAFFLE PLATE	1	PC.
043			344891-2	COVER PLATE	1	PC.
044			266026-4	TAPPING SCREW BIND CT 4X12	2	PC.
045			816374-7	* INDICATION LABEL (OLD)	1	PC.
046			417280-5	STOPPER PIN	1	PC.
047			233272-4	COMPRESSION SPRING 16	1	PC.
048			417279-0	LOCK LEVER	1	PC.
049			266045-0	TAPPING SCREW 4X20	1	PC.
050			421820-3	RUBBER CUSHION	1	PC.
051			251973-2	HEX. SOCKET HEAD BOLT M8X25	1	PC.

Item No	Type	Sub	Part No	Description	Qty	Unit
052			417282-1	STOPPER PLATE	1	PC.
053			911113-1	PAN HEAD SCREW M4X10	1	PC.
054			911113-1	PAN HEAD SCREW M4X10	1	PC.
055			417281-3	LEVER 98	1	PC.
056			251919-8	CAP SQUARE NECK BOLT M6X20	1	PC.
057			252165-6	HEX.NUT M8-35	1	PC.
058			231485-1	COMPRESSION SPRING 4	1	PC.
059			941201-0	FLAT WASHER 8	1	PC.
060			252624-0	WING NUT M6	1	PC.
061			942151-2	SPRING WASHER 6	1	PC.
062			253010-8	FLAT WASHER 6	1	PC.
063	2		163498-3	* BASE	1	PC.
064			251405-9	- FLAT HEAD SCREW K8	1	PC.
065			266208-8	H.S.SET SCREW(CUP POINT)M6X8	1	PC.
066			941201-0	FLAT WASHER 8	1	PC.
067			344980-3	LEVER PLATE	1	PC.
068			921432-7	HEX. BOLT M8X20	1	PC.
069			341415-5	LOCK PLATE	1	PC.
070			911108-4	PAN HEAD SCREW M4X8	1	PC.
071			252105-4	HEX. LOCK NUT M8-13	1	PC.
072			251858-2	SCREW M6X15	1	PC.
073			911945-6	PAN HEAD SCREW M5X85	2	PC.
074			683393-6	VARNISHED POLYESTER TUBE 4-220	1	PC.
075			417276-6	LEAD COVER	1	PC.
076			266026-4	TAPPING SCREW BIND CT 4X12	2	PC.
077			152907-7	MOTOR HOUSING COMPLETE	1	PC.
		INC.	263002-9	RUBBER PIN 4	1	PC.
		INC.	643712-8	BRUSH HOLDER	2	PC.
		INC.	817442-9	CAUTION LABEL	1	PC.
078			852883-2	NAME PLATE 5402NA	1	PC.
079			266027-2	TAPPING SCREW CT5X16	2	PC.
080			417277-4	FRONT HANDLE	1	PC.
081			266027-2	TAPPING SCREW CT5X16	2	PC.
082	2		194991-6	CARBON BRUSH CB-203 2PC/SET W/ ORIGIN	1	SET
083			643700-5	BRUSH HOLDER CAP 7-18	2	PC.
084			911263-2	PAN HEAD SCREW M5X40	4	PC.
085			261081-1	URETHANE WASHER 25	1	PC.
086			211066-7	BALL BEARING 6200LLB	1	PC.
087	2		520053-8	FIELD ASS'Y 115V	1	PC.
		INC.	654197-3	RING TERMINAL (Garter Spring)	1	PC.
		INC.	654553-7	CONNECTOR 34137	1	PC.
		INC.	684790-9	VINYL TUBE (Added)	1	PC.
		INC.	689139-8	RING TERMINAL RETAINER (Added)	1	PC.
088			257720-9	SLEEVE 8	1	PC.
089			266290-7	HEX. SOCKET HEAD BOLT M5	1	PC.
090			163431-5	ROLLER COMPLETE	1	PC.
091			266289-2	HEX. SOCKET HEAD BOLT M6	1	PC.
092			961017-7	STOP RING E-3	1	PC.
093			267099-0	FLAT WASHER 4	1	PC.
094			262104-8	SHOULDER RING 4	1	PC.
095			251973-2	HEX. SOCKET HEAD BOLT M8X25	1	PC.
096			257720-9	SLEEVE 8	1	PC.

Item No	Type	Sub	Part No	Description	Qty	Unit
097			816931-1	* INDICATION LABEL	1	PC.

ACCESSORIES

- See catalogue or visit www.makita.ca for more accessories information

A01			164019-4	GUIDE RULE	1	PC.
A02	2		A-95093	16-5/16" C.T SAW BLADE 32T ARBOR 1"(25 mm)	1	PC.
A02	Opt.		792118-8	16-5/16" C.T SAW BLADE 60T	1	PC.
A03			783204-6	HEX. WRENCH 6	1	PC.
A04			194701-1	PROTECTIVE STAND SET	1	SET
C01			848589-8	CARTON F/5402NA	1	PC.

SERVICE CHANGES

1. Changes on Base, Blade Case, Safety Cover (T/I# 81324) (T/I# 84169) (T/I#A5508)

Item No.	Description	Type 1	Type 2	Type 3	Type 4	
9	Safety Cover	317377-9	318315-4		319253-3	
63	Base	163426-8	163498-3			
18	Blade Case	183307-0	188578-4	158811-8		
32	Makita Mark	819064-1	819064-1	-----		*Component of Item No. 18
45	Indication Label	816374-7	816374-7	-----		
97	Indication Label	-----	-----	816931-1		

Above parts are completely interchangeable as a set.

2. Changes on Handle Set

Item No.	Description	Type 1	Type 2
10	Pan Head Screw	911148-2	911153-9
12	Handle Set	183291-9	183532-3

Above parts are completely interchangeable as a set.

